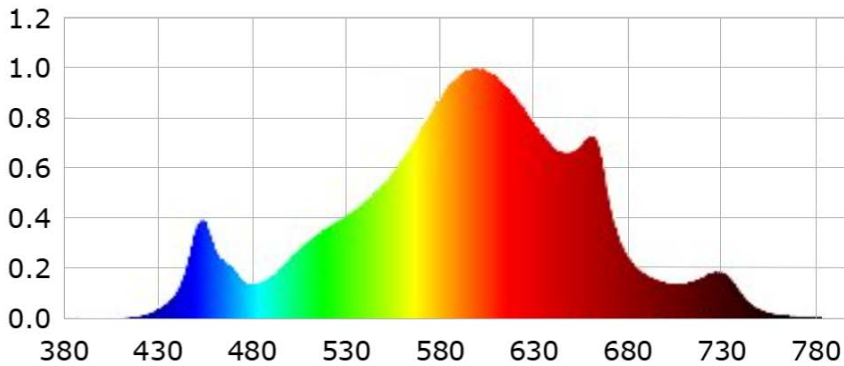


Bridges the Gap between HPS and LED



HPS-Inspired Spectrum



Industrial Grade Construction and Durability

Tempered Glass Covering LEDs

IP66 Rated

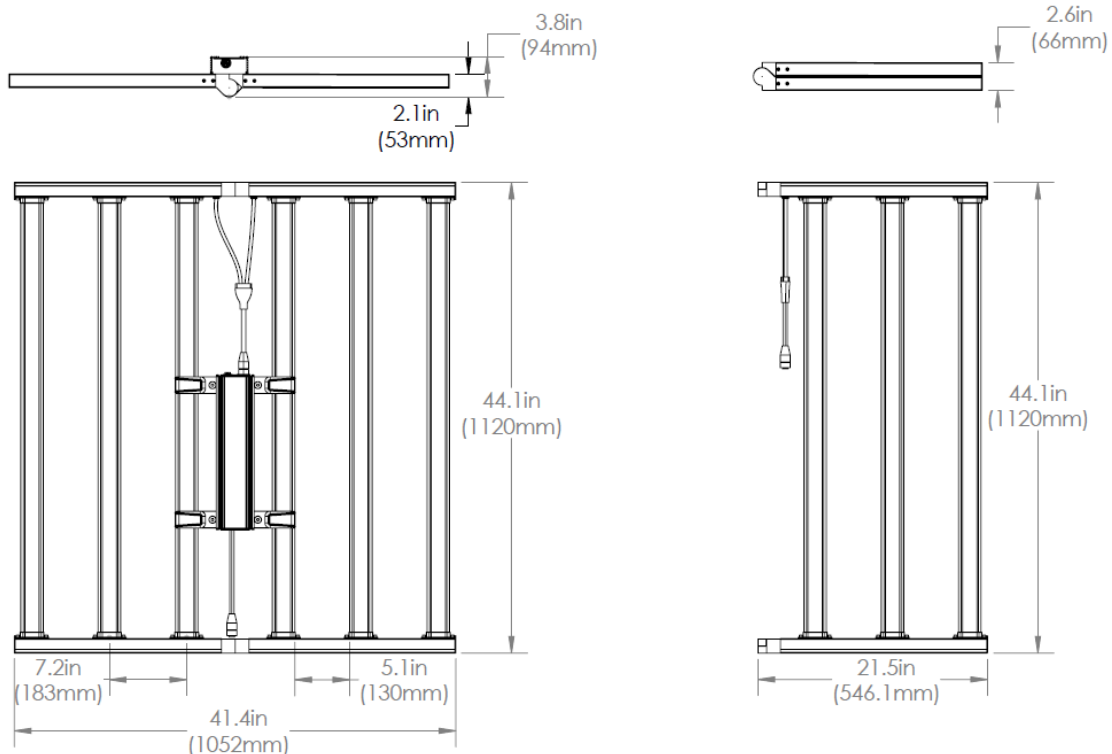
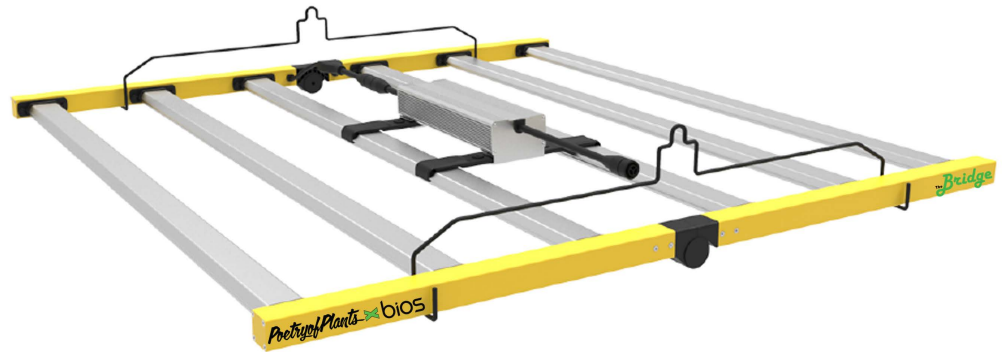


Protection from IPM, watering tools, and irrigation leaks

Easy to clean



Unistrut/Suspension Hanger Included



Specifications

400nm to 750nm ePPF: 1700 μmol/s
FIXTURE WATTAGE: 650W
400nm to 750nm ePPE: 2.6 μmol/s
VOLTAGE: 120V to 277V
LIFETIME: Q90 > 50,000 hours
DIMMING PROTOCOL: 0 to 10V
FIXTURE WEIGHT: 19 lbs / 8.6 kg*
DISTRIBUTION: 120° Beam Angle
WARRANTY: 5 Years

\* FIXTURE AND POWER SUPPLY

What's inside the box:

Item # BP-BRDG-650-HPSL01-1

- The Bridge Fixture
- BP-00PS-650-1BRDGO-1 - Power Supply Unit for Bridge
- BP-0ACC-000-110002-1 - NEMA 6-15P AC Cable 2.5m
- BP-0ACC-000-350001-1 - Dimmer Pigtail 2.5m
- BP-0ACC-000-UCNP04-1 - 120V to 240V Adapter
- BP-000B-000-BRDG01-1 - Wide Unistrut Hanger, Pair

Available to purchase separately:

- BP-000B-000-YKAB01-1 - Large Y-Hangers, Pair

